

The cleanliness Technology

Maxima - MB



APPLICATIONS

- Cleaning during production process
- Cleaning before assembly
- Surface treatment
- Before dimensional, sealing or non-destructive inspection
- Before painting
- Degreasing of dirty parts in few minutes

SPECIFICITIES

- Works in closed circuit
- Robust construction in stainless steel
- Two version :
 - MAXIMA : one tank
 - MB : two or more
- Easy access for maintenance
- Low energy and detergent consumption

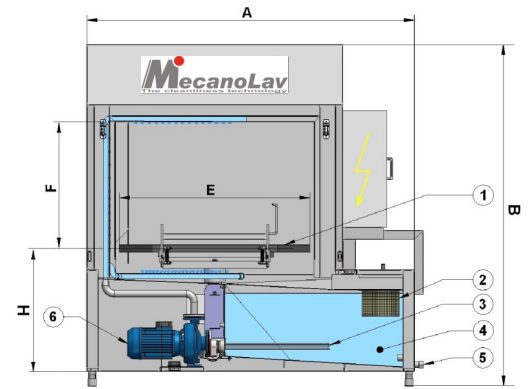
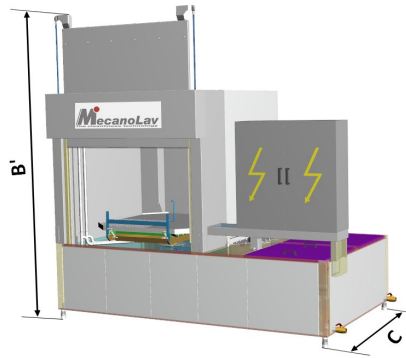
For more information,
Contact :

MecanoLav
The cleanliness technology

38 Rue de Flandre
ZAC du Pays de Bray
FR-76270 NEUFCHATEL EN BRAY
Ph (33) 02 35 93 00 78
Fax (33) 02 35 94 14 20
contact@mecanolav.com

Operation

- Parts to be clean are placed on a rotary plate.
- Plate front loading in the work chamber.
- Parts cleaning / degreasing by spraying.
- Automatic switch-off of the cycle according to the programmed timers



Specifications

			MAXIMA 8/ MB8	MAXIMA 10/ MB10	MAXIMA 13/ MB13	MAXIMA 15/ MB15	MAXIMA 18/ MB18	MAXIMA 20/ MB20
Useful dimensions								
Plate diameter	1	mm	950	1250	1500	1800	2130	2420
Plate (cut corners)	E	mm	800x800	1000x1000	1300x1300	1500x1500	1800x1800	2000x2000
Height	F	mm	800*	800*	800*	800*	800*	800*
Loading height	H	mm	960	960	960	960	1100	1100
Maximal load		kg	1000	1000	1000	1000	2000	2000
External dimensions								
Width	A	mm	1900/2450	2100/3150	2250/3150	2620/3250	2950/3600	3250/3900
Depth	C	mm	1380	1810	1810	2100	2450	2750
Depth with manual door open		mm	2380	2570	2810	-	-	-
Height	B	mm	1950	1950	1950	1950	2200	2200
Height with steam extractor		mm	2500	2500	2500	2500	2610	2610
Height with vertical door open	B'	mm	3250	3250	3250	3250	3500	3500
Pump(s)								
Power	6	kW	4 / 2x4	4 / 2x4	7,5 / 2x7,5	7,5 / 2x7,5	9,2 / 2x9,2	11 / 2x11
Flow		l/min	450	450	580	580	700	950
Pressure		bar	3,4	3,4	4,5	4,5	4,5	4,5
Tank(s)								
Volume	4	liters	350 / 2x350	450 / 2x600	600 / 2x600	800 / 2x800	1000 / 2x1000	1200 / 2x1200
Heating power	3	kW	12 x 2x12	18 / 2x18	24 / 2x24	30 / 2x30	36 / 2x36	42 / 2x42
Draining valve diameter	5	inch	2"	2"	2"	2"	2"	2"
Tank return filter	2	μ	800	800	800	800	800	800
Temperature		°C	80	80	80	80	80	80
Electrical supply								
Power		kW	17 / 34	23 / 46	33 / 65	47 / 90	55 / 106	62 / 121
Voltage		V	400 tri	400 tri	400 tri	400 tri	400 tri	400 tri
Other characteristics								
Machine weight		kg	500 / 700	700 / 1100	900 / 1100	1300 / 1600	1500 / 1800	1700 / 2000
Maximal cleaning time		mn	60	60	60	60	60	60

* Upper height on request

Options

- Automatic vertical door
- Automatic filling
- Trolley with wheels
- Fix table
- Oil skimmer
- Steam extraction
- Mist collector
- Degreaser
- Detergent dosing device
- Compressed air blowing
- Hot air drying
- Draining pump
- Thermal insulation
- Automatic door locking



web

Access to product page